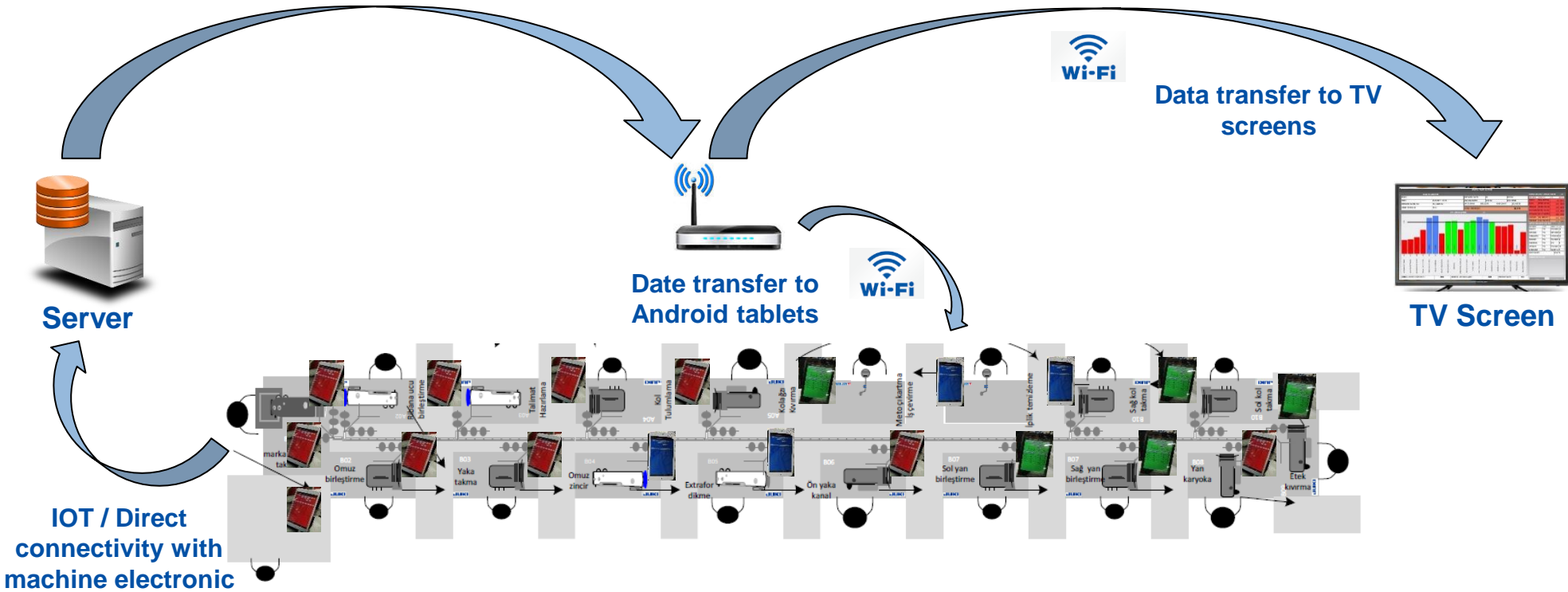


# IOT (Internet Of Things) Productin Monitoring System For Garment Factories



## Advantages of System

- 1- All working stations are connected (Sewing machines, ironing, quality control and manual operations)
- 2- Connectivity with any brand and any age of machines
- 3- IOT connection with electronic of machine and using android technology
- 4- Real time data management